

# XFP-SFP-10G-PCxM

XFP to SFP+ Passive Direct Attach Copper Cables

0.5M, 1M, 2M, 3M, 5M Reach



## Product Features

- ❖ Support for multi-gigabit data rates up to 10.5Gbps
- ❖ Data rates backward compatible to 1Gbps
- ❖ XFP to SFP+ Connector
- ❖ I/O Connector designed for high speed differential signal applications
- ❖ Improved Pluggable Form Factor (IPF) compliant for enhanced EMI/EMC performance
- ❖ XFP connector on one end that fits into any 10 GE XFP interface
- ❖ Temperature Range: 0~ 70 °C
- ❖ Comply with RoHS 2.0

## Applications

- ❖ High capacity I/O in Storage Area Networks, Network Attached Storage, and Storage Servers
- ❖ Switched fabric I/O such as ultra high bandwidth switches and routers
- ❖ Data center cabling infrastructure
- ❖ High density connections between networking equipment

## Description

The DAC XFP to SFP+ cable assemblies are high-performance, cost effective I/O solutions for 10Gb Ethernet and 10G Fibre Channel applications. XFP to SFP+ passive copper modules allow hardware manufacturers to achieve high port density, configurability and utilization at a very low cost and to reduce power budget. The high-speed cable assemblies meet and exceed the performance and reliability requirements stipulated by Gigabit Ethernet and Fibre Channel industry standard.

## Recommended Operating Conditions

Parameter	Symbol	Min	Typical	Max	Unit
Storage Ambient Temperature		-40		+85	°C
Operating Case Temperature	Tc	-40		+85	°C

## Systems

Performance	Media
10.5 Gpbs line speed, full duplex Bit error rate: better than 10E-12	XFP Hot-pluggable, industry-standard Small Form-Factor Pluggable(SFP+) copper cable, available as 1m,2m or 3m.

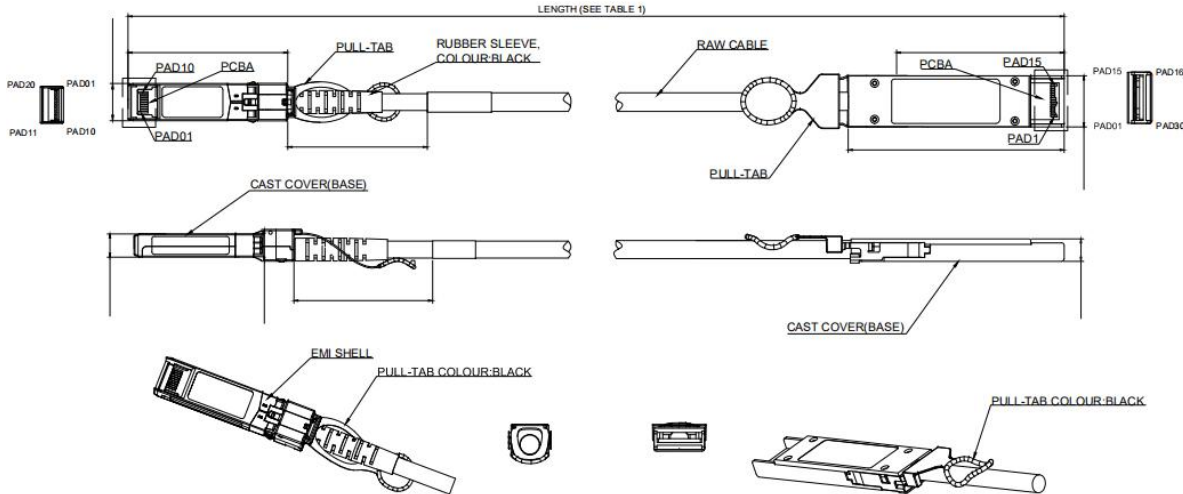
## Pin Descriptions

Pin	Logic	Symbol	Name/Description	Notes
1		VeeT	Transmitter Ground	
2	LV-TTL-O	TX_Fault	N/A	1
3	LV-TTL-I	TX_DIS	Transmitter Disable	2
4	LV-TTL-I/O	SDA	Tow Wire Serial Data	
5	LV-TTL-I	SCL	Tow Wire Serial Clock	
6		MOD_DEF0	Module present, connect to VeeT	
7	LV-TTL-I	RS0	N/A	1
8	LV-TTL-O	LOS	LOS of Signal	2
9	LV-TTL-I	RS1	N/A	1
10		VeeR	Receiver Ground	
11		VeeR	Receiver Ground	
12	CML-O	RD-	Receiver Data Inverted	
13	CML-O	RD+	Receiver Data Non-Inverted	
14		VeeR	Receiver Ground	
15		VccR	Receiver Supply 3.3V	
16		VccT	Transmitter Supply 3.3V	
17		VeeT	Transmitter Ground	
18	CML-I	TD+	Transmitter Data Non-Inverted	
19	CML_I	TD-	Transmitter Data Inverted	
20		VeeT	Transmitter Ground	

**Notes:**

1. Signals not supported in SFP+ Copper pulled-down to VeeT with 30K ohms resistor
2. Passive cable assemblies do not support LOS and TX\_DIS

## Mechanical Dimensions



## Ordering Information

Part Number	Product Description
XFP-SFP-10G-PC50CM	XFP Direct Attach Passive Cable, 0.5m (1.6ft), AWG 24, 0° C ~ +70° C
XFP-SFP-10G-PC1M	XFP Direct Attach Passive Cable, 1m (3ft), AWG 24, 0° C ~ +70° C
XFP-SFP-10G-PC2M	XFP Direct Attach Passive Cable, 2m (7ft), AWG 24, 0° C ~ +70° C
XFP-SFP-10G-PC3M	XFP Direct Attach Passive Cable, 3m (10ft), AWG 24, 0° C ~ +70° C
XFP-SFP-10G-PC5M	XFP Direct Attach Passive Cable, 5m (16ft), AWG 24, 0° C ~ +70° C